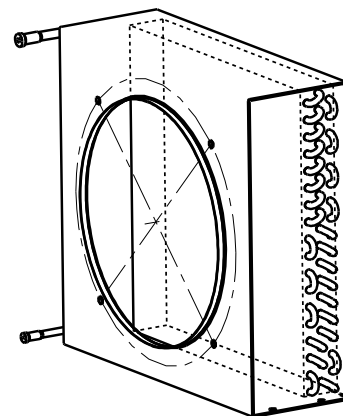


16	4	RIVET Ø4	Steel/Steel	VS4040660
15	4	HEXERT M6 Steel	Steel	VS2968806
14	1	Outlet header	Tube Cu 3/8"	COCRZ4206
13	1	Tripode D : 22.9 droit	Tube Cu 3/8	C0299A139
12	10	Return bend (kolinko) R : 25.4	Tube Cu Ø3/8"	C01607311
11	14	Return bend (kolinko) R : 22.9	Tube Cu Ø3/8"	C01607310
10	1	End plates	Steel galva. 15/10	PGCRZ5046
9	1	End plates	Steel galva. 15/10	PGCRZ5045
8	1	Fan plate	Steel galva. 12/10	HBCRZ2818
7	2	Equerre support	CUIVRE 20/10	HB3891317
6	1	Inlet header	Copper Ø 1/2"	COCRZ4205
5	1	Plug	CAOUTCHOUC	BE1364006
4	1	Plug	CAOUTCHOUC	BE1364005
3	9	Epingle D : 25.4	Tube Cu Ø3/8" smooth/nladka	
2	18	Epingle D : 22.9	Tube Cu Ø3/8" smooth/nladka	
1	175	Fin right 3S2 3N 18T	ALU	
idx	Qty	Description	Material	Part Num.



ECHELLE 0.150

Coil filled up with dry air 0.2 bar.
Vymeník plnen suchým vzduchem 0.2 bar.

Date: 19/10/06	Customer: SPR C 3S2 SPR6	LUVATA	
Drawn: APO	Reference Number: C 3S2G031804502540021ALDG1AV-P-	Protection / Material: paint/barva Bitzer	
Checked: VPI	Description: C 3S2G031804502540021ALDG1AV-P-	Part Number: BP210K756	Revision: /
HEATCRAFT	LUVATA Czech s.r.o. Vrazska 143, 153 00 Prague 16 Radoin Czech republic tel: +420 257 811 129	Scale: 0.3	Format: A2 Sheet/Sheets: 1/2
This document is the property of LUVATA Czech s.r.o. It can not be used, copy or submit without authorisation.			