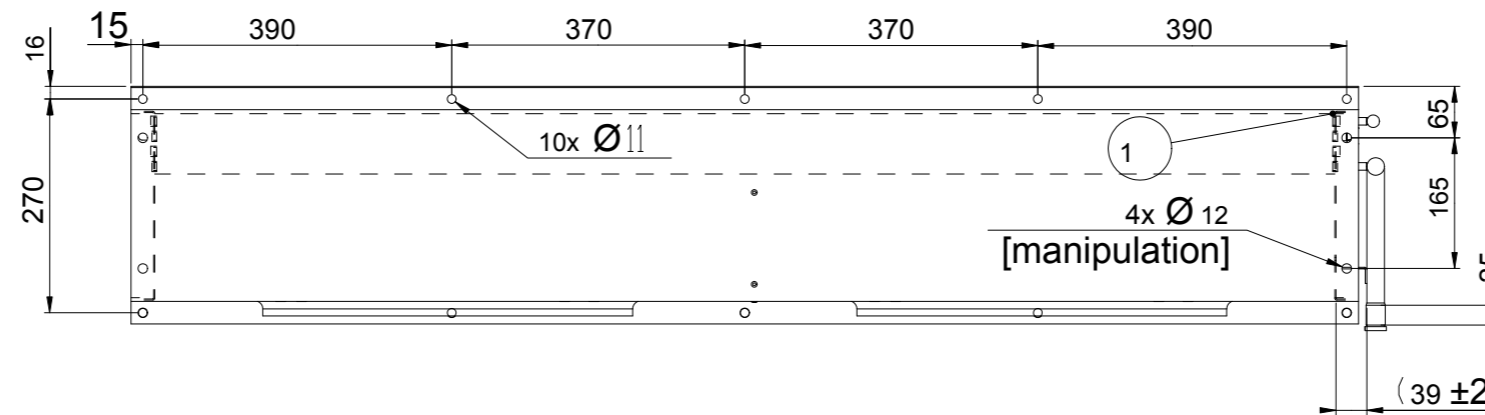
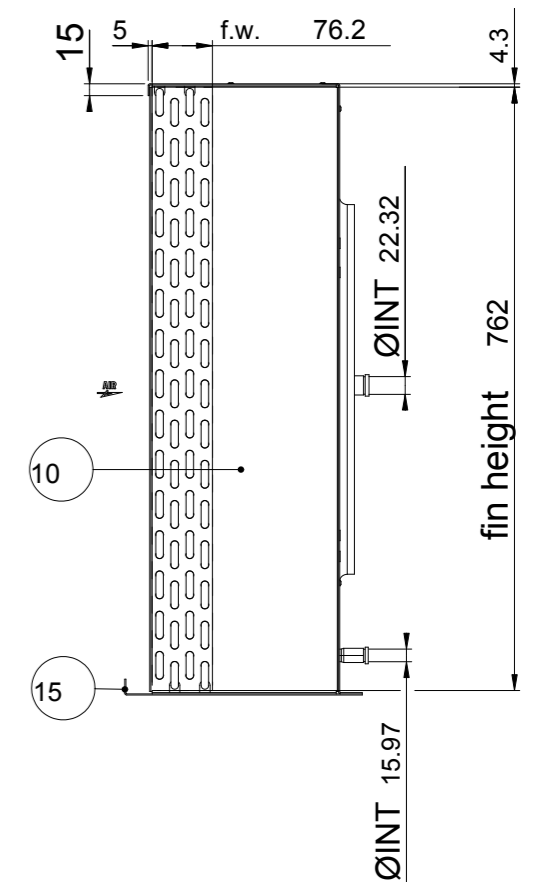
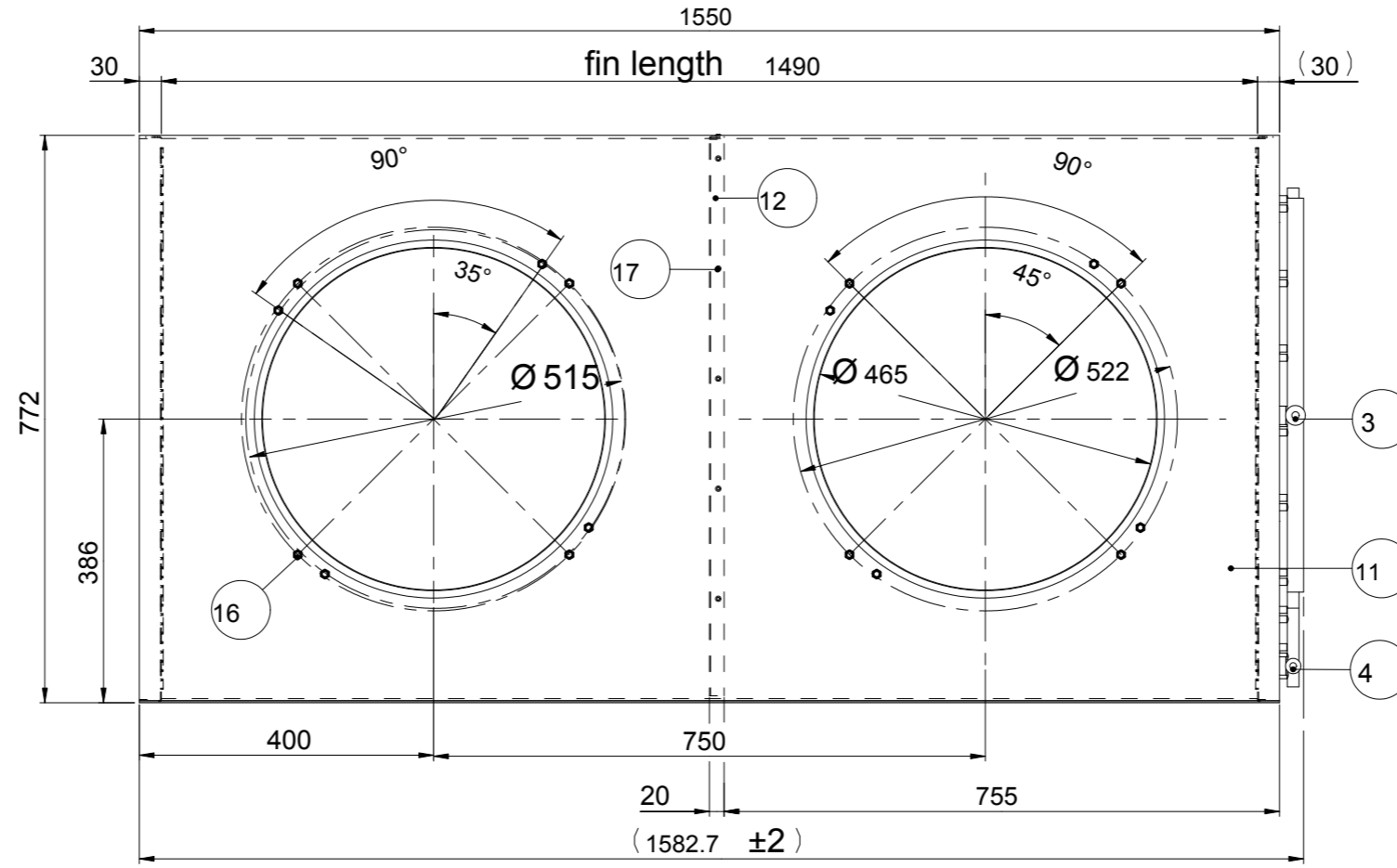
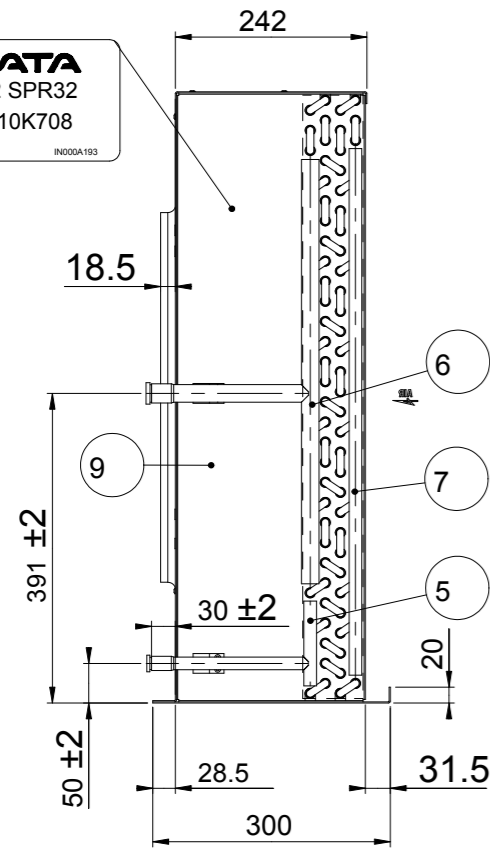
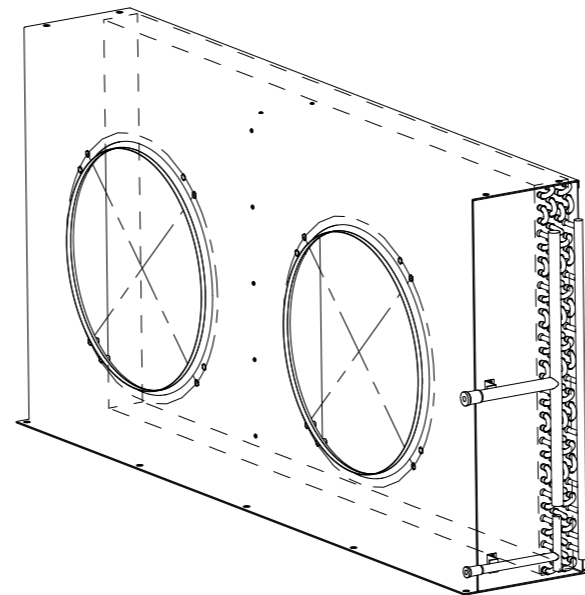


LUVATA
C3S2 SPR32
BP210K708
HEATCRAFT IN000A193



idx	Qty	Description	Material	Part Num.
17	11	RIVET Ø4	Steel/Steel	VS4040660
16	16	EURO HEXERT M8 Steel	Steel	VS2280308
15	1	Bottom plate	Steel galva 15/10	HBCRZ2739
14	24	Return bend (kolinko) R : 25,4	Tube Cu Ø3/8"	CO1607311
13	27	Return bend (kolinko) R : 22,9	Tube Cu Ø3/8"	CO1607310
12	1	Separation plate	Steel galva. 15/10	HBCRZ2738
11	1	Fan plate	Steel galva. 15/10	HBCRZ2737
10	1	End plates	Steel galva. 15/10	PGCRZ4933
9	1	End plates	Steel galva. 15/10	PGCRZ4932
8	2	Equerre support	CUIVRE 20/10	HB3891320
7	1	Outlet header	Copper Ø 5/8"	COCRZ4084
6	1	Intlet header	Copper Ø 7/8"	COCRZ4082
5	1	Outlet header	Copper Ø 5/8"	COCRZ4083
4	1	Plug	CAOUTCHOUC	BE1534500
3	1	Plug	CAOUTCHOUC	BE1503900
2	60	Epingle D : 25,4	Tube Cu Ø3/8" smooth/hladka	
1	586	Fin left 3S2 4N 30T	ALU	



ECHELLE 0.100

Coil filled up with dry air 0.2 bar.
Vymenik plnen suchym vzduchem 0.2 bar.

Date: 26/09/06	Customer: SPR C3S2 SPR32	LUVATA
Drawn: APO	Reference Number: Description: C3S2G043014902540061ALDG2AV-P-	
Checked: VPI	Part Number: BP210K708 /	
HEATCRAFT	LUVATA Czech s.r.o. Vrazska 143, 153 00 Prague 16 Radotin Czech republic tel: +420 257 811 129	Scale: 0.2
This document is the property of LUVATA Czech s.r.o. It can not be used, copy or submit without authorisation.		Format: A2
		Sheet/Sheets: 1 / 2