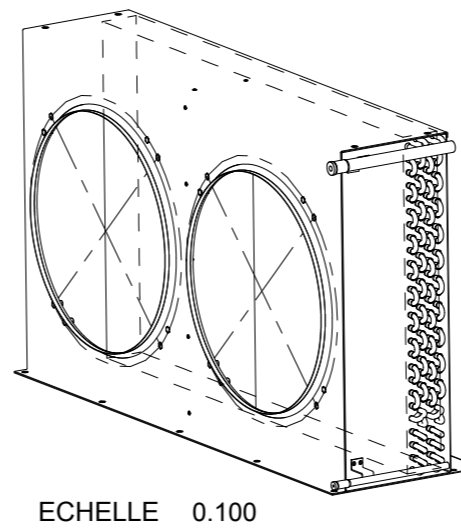


18	11	RIVET Ø4	Steel/Steel	VS4040660
17	16	EURO HEXERT M8 Steel	Steel	VS2280308
16	1	Bottom plate	Steel galva 15/10	HBCRZ2732
15	2	Tripode D : 22.9 gauche	Tube Cu 3/8	C0299A173
14	40	Return bend (kolinko) R : 25,4	Tube Cu Ø3/8"	CO1607311
13	6	Return bend (kolinko) R : 22,9	Tube Cu Ø3/8"	CO1607310
12	1	Separation plate	Steel galva. 15/10	HBCRZ2731
11	1	Fan plate	Steel galva. 15/10	HBCRZ2730
10	1	End plates	Steel galva. 15/10	PGCRZ4928
9	1	End plates	Steel galva. 15/10	PGCRZ4927
8	2	Equerre support	CUIVRE 20/10	HB3891320
7	1	Outlet header	Copper O 1/2"	COCRZ4079
6	1	Intlet header	Copper Ø 7/8"	COCRZ4078
5	1	Plug	CAOUTCHOUC	BE1534000
4	1	Plug	CAOUTCHOUC	BE1533500
3	44	Epingle D : 25,4	Tube Cu Ø3/8" smooth/hladka	
2	8	Epingle D : 22,9	Tube Cu Ø3/8" smooth/hladka	
1	409	Fin left 3S2 4N 26T	ALU	
idx	Qty	Description	Material	Part Num.



ECHELLE 0.100

Coil filled up with dry air 0.2 bar.
Vymenik plnen suchym vzduchem 0.2 bar.

Date:	25/09/06	Customer:	SPR C3S2 SPR23	LUVATA
Drawn:	APO	Reference Number:		
Checked:	VPI	Description:	C3S2G042610402540041ALDG2AV-P-	Protection / Material: paint/barva Blizer
HEATCRAFT		LUVATA Czech s.r.o. Vrazska 143, 153 00 Prague 16 Radotin Czech republic tel: +420 257 811 129	Part Number: BP215K707	Revision /
		Scale:	0.2	Format: A2
				Sheet/Sheets: 1 / 2