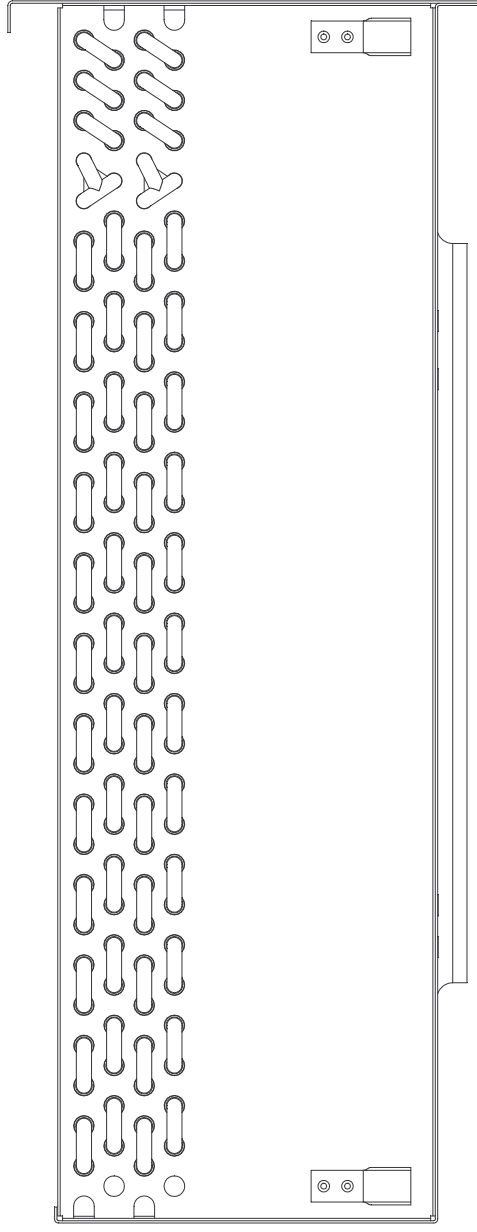
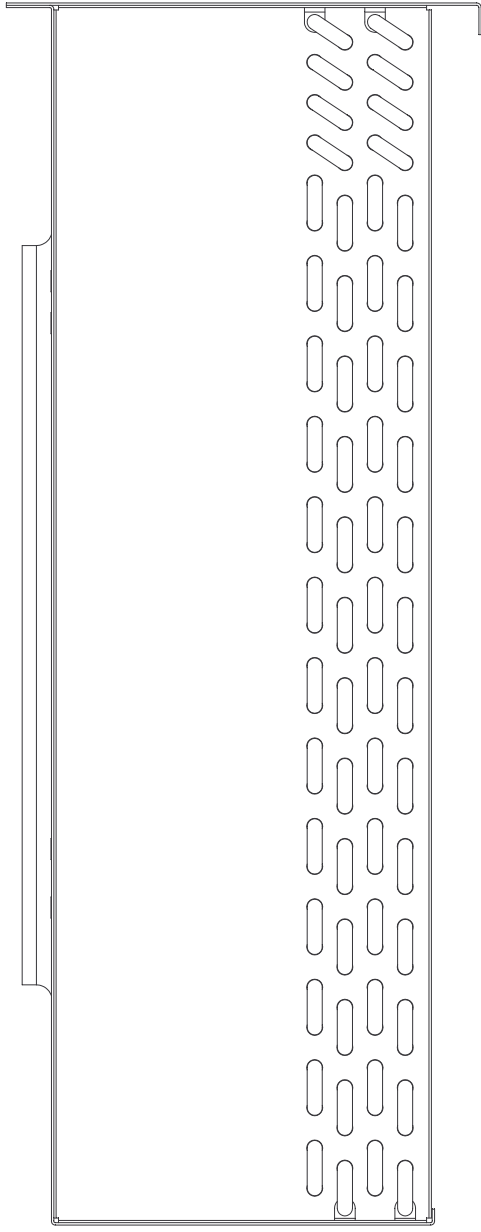
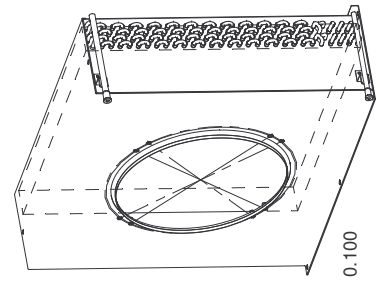
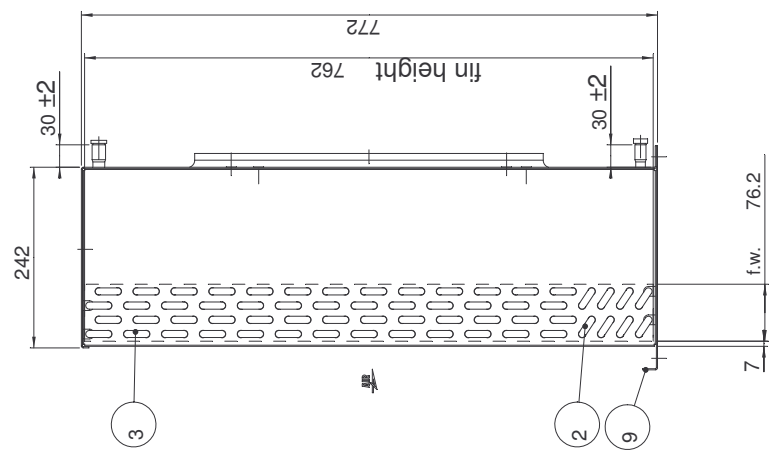
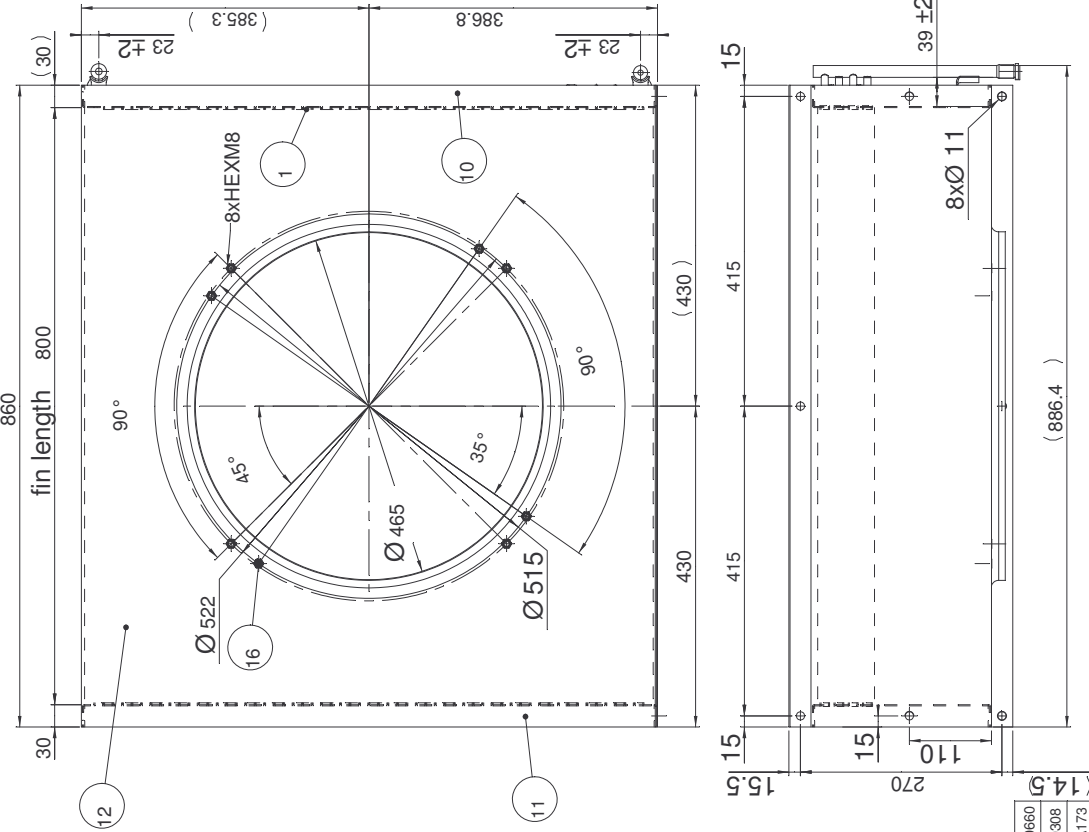
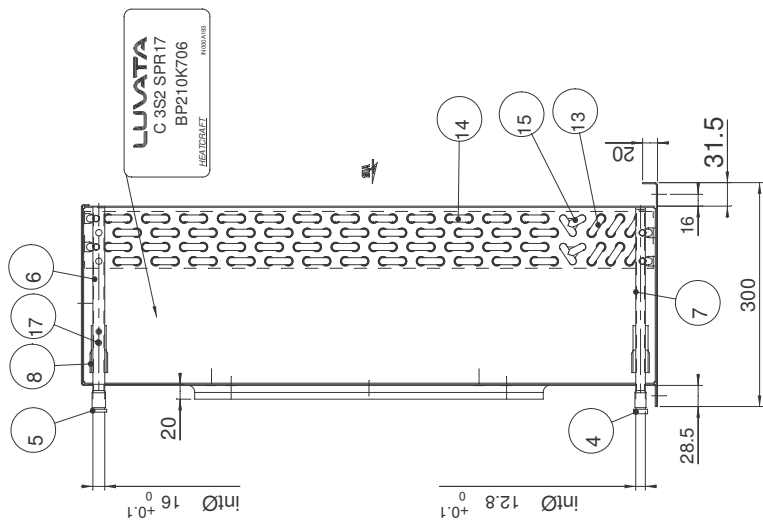


SCALE 0.300



Date:	26.9.06	Customer:	SPR C 3S2 SPR17	LUVATA	
Drawn:	LS	Reference Number:		Protection / Material: paintbarva Bizer	
Checked:	APO	Description:	C3S2G043008002310041ALDG1AV-P-	Part Number:	BP210K706
		LUVATA Czech s.r.o. Vrzska 143, 153 00 Prague 16 Radotin Czech republic tel: +420 257 811 129		Scale:	0.3
				Format:	A3
				Revision	/
				Sheet/Sheets:	2 / 2



ECHELLE 0.100

idx	Qty	Description	Material	Part Num.
17	4	RIVET Ø4	Steel/Steel	VS-04-0660
16	8	EUPO HEXERT M8 Steel	Steel	VS2280308
15	2	Tripode D : 22.9 gauche	Tube Cu 3/8	C0299A173
14	48	Return bend (kolínko) R : 25.4	Tube Cu Ø3/8"	C01607311
13	6	Return bend (kolínko) R : 22.9	Tube Cu Ø3/8"	C01607310
12	1	Fan plate	Steel galva. 15/10	HBORZ2742
11	1	End plates	Steel galva. 15/10	PGCRZ4939
10	1	End plates	Steel galva. 15/10	PGCRZ4938
9	1	Bottom plate	Steel galva 15/10	HBORZ2743
8	2	Equerre support	CUIVRE	HBCCA6514
7	1	Outlet header	Copper O 1/2"	COCRZ4090
6	1	Inlet header	Copper Ø 5/8"	COCRZ4089
5	1	Plug	CAOUTCHOUJ	BE1594500
4	1	Plug	CAOUTCHOUJ	BE1364006
3	52	Epingle D : 25.4	Tube Cu Ø3/8"	smooth/laucka
2	8	Epingle D : 22.9	Tube Cu Ø3/8"	smooth/laucka
1	346	Fin left 352 4N 30T	ALU	

Coil filled up with dry air 0.2 bar.
Vymeník plněn suchým vzduchem 0.2 bar.

Date:	26.9.06	Customer:	SPR
Drawn:	LS	Reference Number:	C 3S2 SPR17
Checked:	APO	Description:	C3S2G043008002310041ALDG1AV-P-
		Part Number:	BP210K706
LUVATA Czech s.r.o. Vražská 143, 153 00 Prague 16 Radotin Czech republic tel: +420 257 811 129		Projection / Material:	paint/bare Brass
This document is the property of LUVATA Czech s.r.o. It cannot be used, copy or reprinted without authorisation.		Scale:	0.2
		Format:	A2
		Sheet/Sheets:	1 / 2