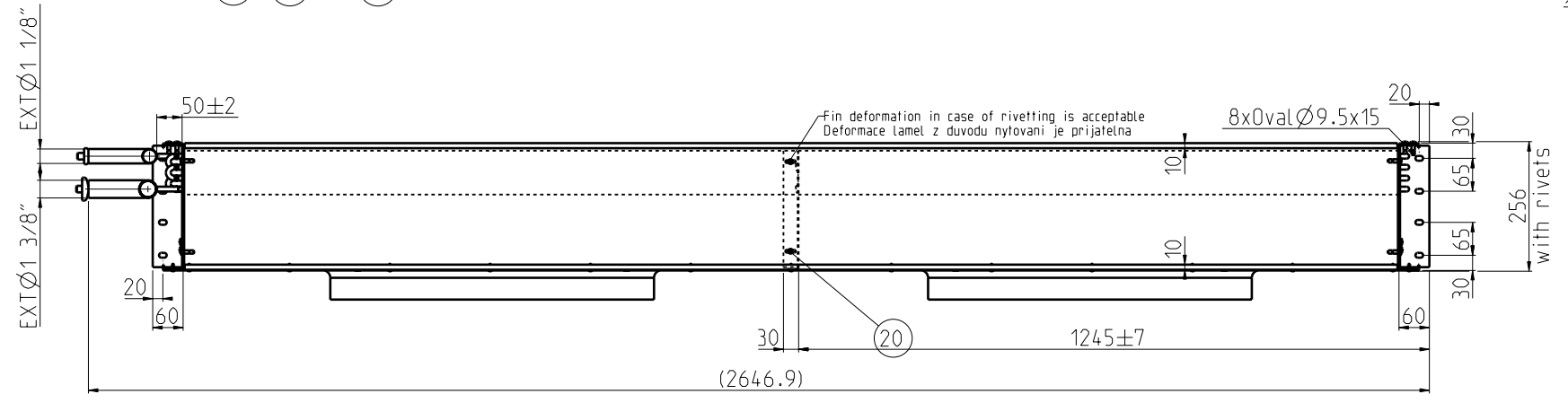
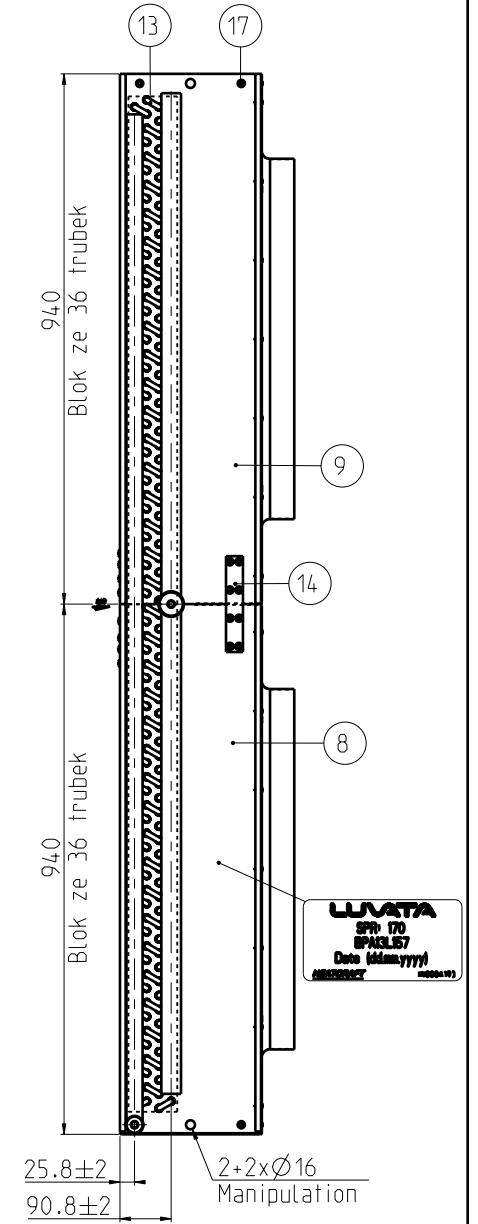
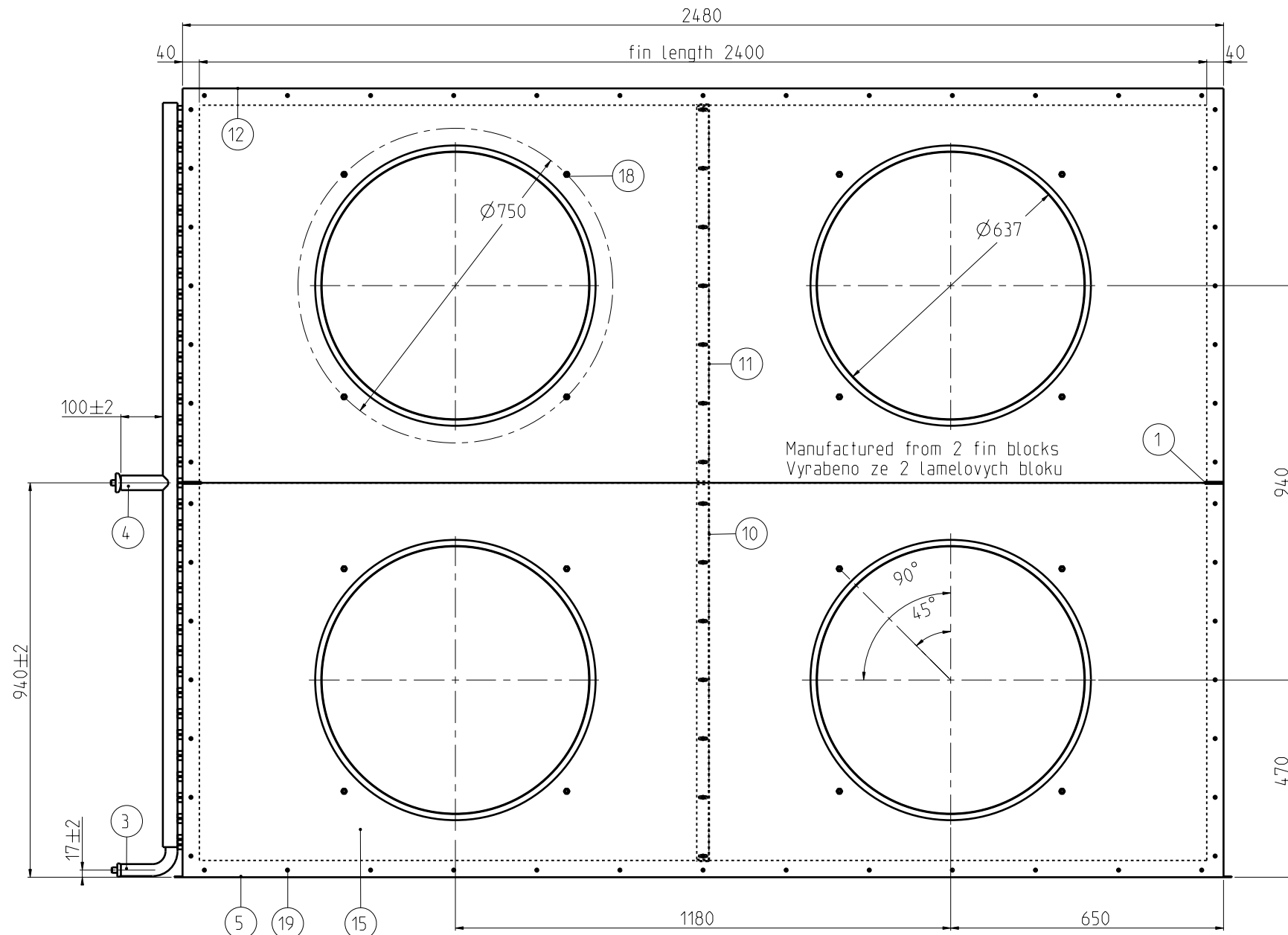
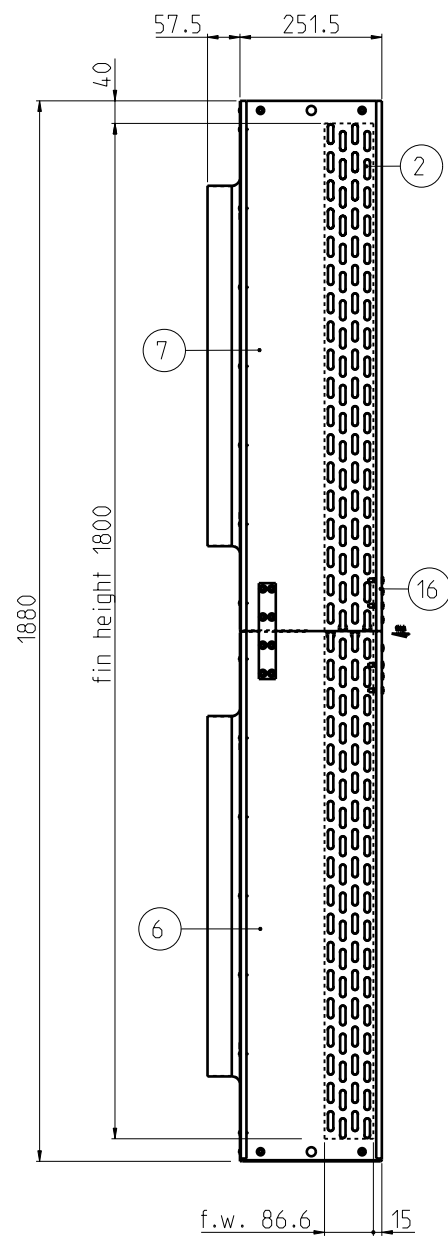


PS = 30 bar  
FLUID: Group 2

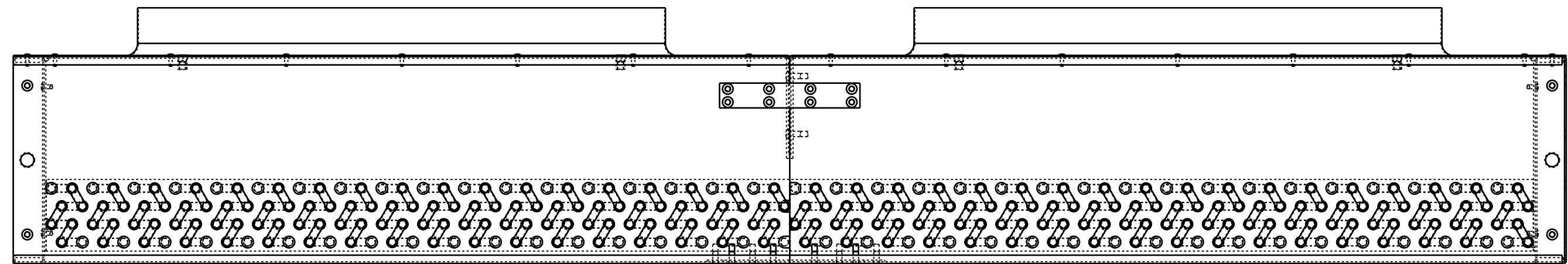
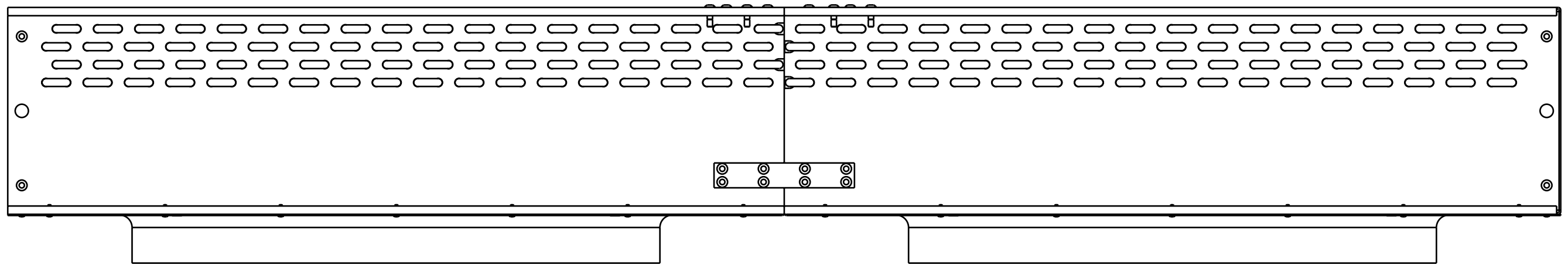
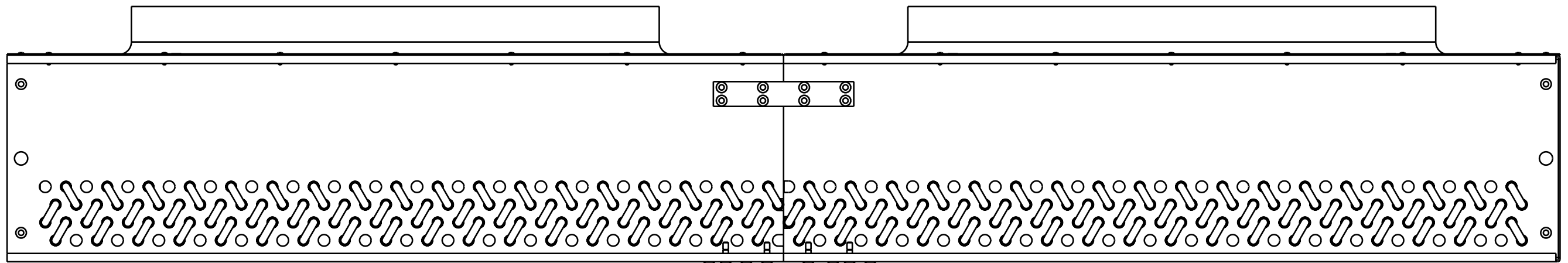


20	4	RIVET Ø5	Stainless/Stainless	VS4047196
19	68	RIVET Ø4	Steel/Steel	VS4040660
18	16	EURO HEXSERT M8 Steel	Steel	VS2280308
17	56	MONOBOLT Ø7	Steel/Steel	VS1277100
16	1	Support	Steel galva. 20/10	HBCRZ3382
15	2	Fan plate D=637 V=59	Steel Galva. 15/10	HBCRZ3381
14	3	Support	Steel galva. 20/10	HBCRZ2262
13	108	Return bend (kolinko) R : 25	Tube Cu Ø3/8"	C0101A134
12	1	Top plate	Steel galva. 20/10	HBCRZ3379
11	1	Plaque intermediaire without collet	Steel galva. 20/10	PGCRZ6122
10	1	Plaque intermediaire without collet	Steel galva. 20/10	PGCRZ6121
9	1	End plates without collet	Steel galva. 20/10	PGCRZ6120
8	1	End plates without collet	Steel galva. 20/10	PGCRZ6119
7	1	End plates without collet	Steel galva. 20/10	PGCRZ6118
6	1	End plates without collet	Steel galva. 20/10	PGCRZ6117
5	1	Bottom plate	Steel galva. 20/10	HBCRZ3380
4	1	Inlet header	Copper Ø 1"3/8	C0CRZ5364
3	1	Outlet header	Copper Ø 1"1/8	C0CRZ5365
2	144	Epingle D : 25	Tube Cu Ø3/8" smooth/hladka	
1	944	Fin left 3S3 4N 72T 2.54 mm	ALU	
idx	Qty	Description	Material	Part Num.

Coil filled up with dry air 0.2 bar.  
Vymenik plnen suchym vzduchem 0.2 bar.

Date:	4.1.08	Customer:	SPR SPR- 170	LUVATA
Drawn:	VPI	Reference Number:		
Checked:	APD	Description:	C 3S3G047224002540361ALDG4A---C	Protection / Material:
HEATCRAFT		LUVATA Czech s.r.o. Vrzska 143, 153 00 Prague 16 Radotin Czech republic tel: +420 257 811 129		Part Number: <b>BPA13L157</b>
		Scale:	0.2	Revision: -
		Format:	A1	Sheet/Sheets: 1/3

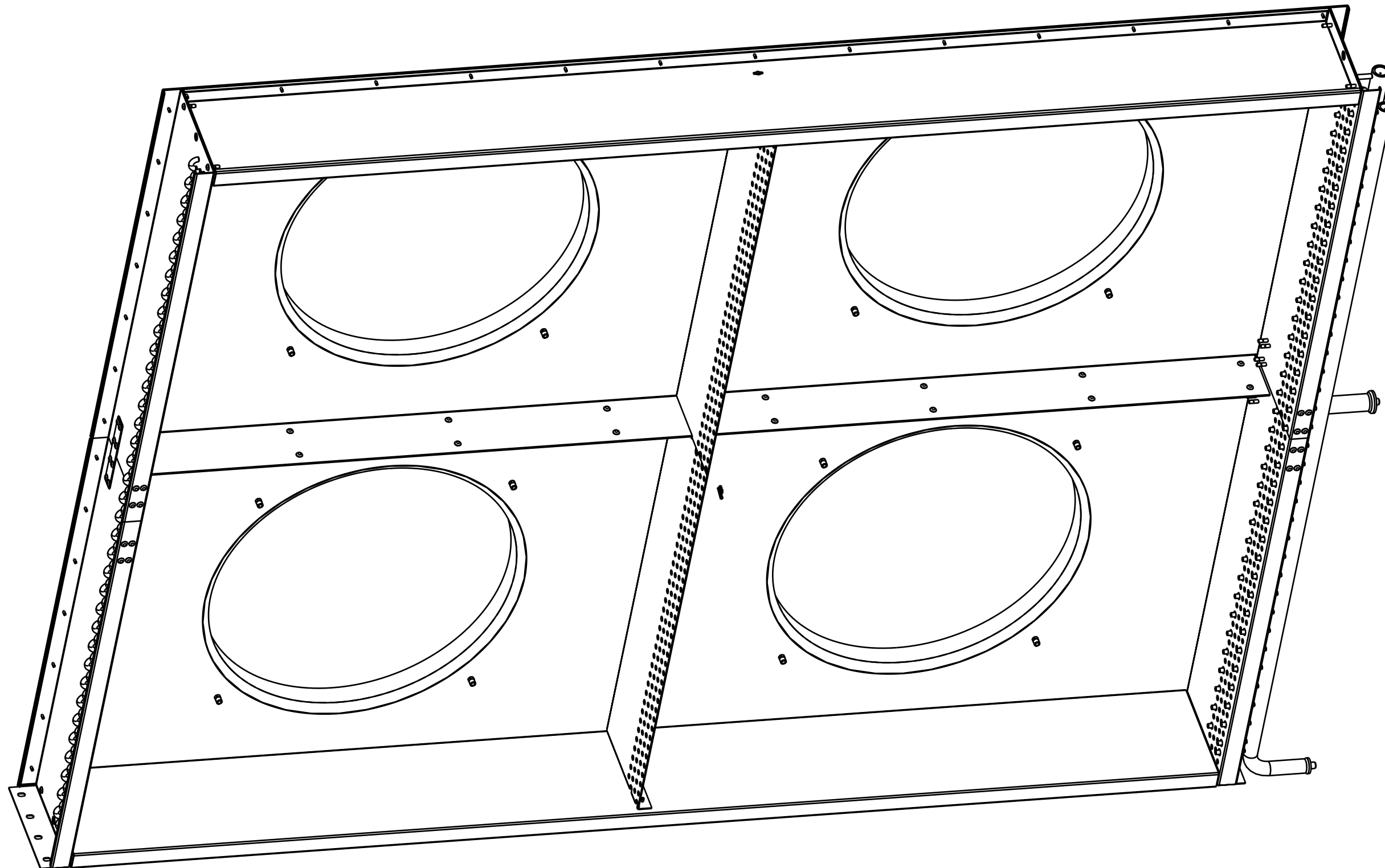
This document is the property of LUVATA Czech s.r.o. It can not be used, copy or submit without authorisation.



2/3

Date: 4.1.08	Customer: <b>SPR</b>	<b>LUVATA</b>
Drawn: VP1	Reference Number: <b>SPR- 170</b>	
Checked: APO	Description: <b>C 3S3G047224002540361ALDG4A---C</b>	Protection / Material:
<b>HEATCRAFT</b>	LUVATA Czech s.r.o. Vrzska 143, 153 00 Prague 16 Radolin Czech republic tel: +420 257 811 129	Part Number: <b>BPA13L157</b>
	Scale: 0.4	Revision: -
	Format: A1	Sheet/Sheets: 2/3

This document is the property of LUVATA Czech s.r.o. It can not be used, copy or submit without authorisation.



Date:	4.1.08	Customer:	SPR	LUVATA	
Drawn:	VP1	Reference Number:	SPR- 170		
Checked:	APO	Description:	C 3S3G047224002540361ALDG4A---C	Protection / Material:	
			..		
HEATERCRAFT	LUVATA Czech s.r.o. Vrzska 143, 153 00 Prague 16 Radoim Czech republic tel: +420 257 811 129		Part Number:	BPA13L157	Revision
			Scale:	0.3	Format: A1
			Sheet/Sheets:	3/3	

This document is the property of LUVATA Czech s.r.o. It can not be used, copy or submit without authorisation.